

ADAM-4572

1-port Modbus Gateway



RoHS
COMPLIANT
2011/65/EU

CE FCC

Features

- Supports 10/100 Mbps communication speeds
- Allows up to 8 clients to access field data simultaneously
- Supports popular HMI software with Modbus/TCP driver or OPC server
- Up to 3 Independent serial ports capacity if configured to RS-485 serial mode
- Provides auto-searching device ID Windows utility
- Surge protection for RS-485 and power line
- Automatic RS-485 data flow control
- Easy mounting on DIN-rail or panel
- Supports Modbus/ASCII, RTU Protocol to control devices

Specifications

Ethernet Communications

- **Compatibility** IEEE 802.3, IEEE 802.3u
- **Speed** 10/100 Mbps
- **Port Connector** 8-pin RJ45

Serial Communications

- **Port Type** RS-232/422/485
- **No. of Ports** 1
- **Port Connector** Plug-in terminal block
- **Data Bits** 7, 8
- **Stop Bits** 1, 2
- **Parity** None, Odd, Even, Mark, Space
- **Baud Rate** 50 bps ~ 921.6 kbps
- **Data Signals** RS-232: TxD, RxD, GND
RS-422: TxD+, TxD-, RxD+, RxD-, GND
RS-485: Data+, Data-, GND
- **Protection** 15 KV ESD protection for all signals

Software

- **OS Support** 32-bit/64-bit Windows XP/Vista/7/8, Windows Server 2003/2008/2008 R2/2012, Windows CE 5.0, and Linux
- **Utility Software** Advantech EKI Device Configuration Utility
- **Operation Mode** Modbus/RTU master/slave mode,
Modbus/ASCII master/slave mode

Mechanics

- **Dimensions (H x W x D)** 70 x 130 x 30 mm
- **Enclosure** ABS+PC with solid mounting hardware
- **Mounting** DIN-rail, stack, wall

General

- **Certifications** CE, FCC Part 15 Subpart B (Class A)
- **LED Indicators** System: Power, System Status
LAN: Speed, Link/Active
Serial: Tx, Rx

Power Requirement

- **Power Input** 10 ~ 30 V_{DC}
- **Power Consumption** 2.5W

Environment

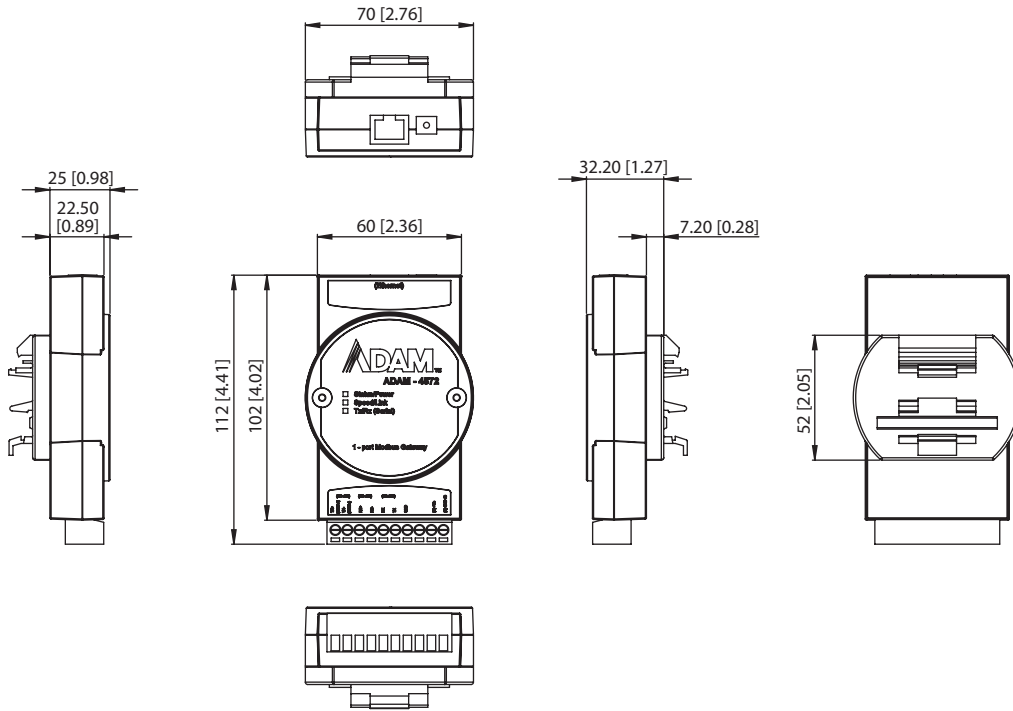
- **Operating Temperature** -10 ~ 60°C (14 ~ 140°F)
- **Storing Temperature** -20 ~ 80°C (-4 ~ 176°F)
- **Operating Humidity** 5 ~ 95% RH

Ordering Information

- **ADAM-4572** 1-port Modbus Gateway

Dimensions

Unit: [mm]



Panel Cut-out Dimensions: 70 x 102 x 25 mm (2.76" x 4.02" x 0.98)