

ARK-3520L

6th Gen. Intel® Core™ i3/ i5/ i7 Modular Expansion Fanless Box PC



Features

- 6th Gen. Intel® Core™ i3/i5/i7 mobile processor (BGA)
- Triple independent display: VGA + HDMI + Optional Display
- DDR4 SO-DIMM memory support up to 32 GB
- Option 9-36V power module compatible with all-in-one ordering
- Optional modular design for 2.5" hard drive bays : internal /removable (support up to 2 sets)
- Advantech iDoor module compatible
- Advantech EMIO miniPCIe module compatible with all-in-one ordering
- Advantech ARK Plus AMO-3xxx series module compatible



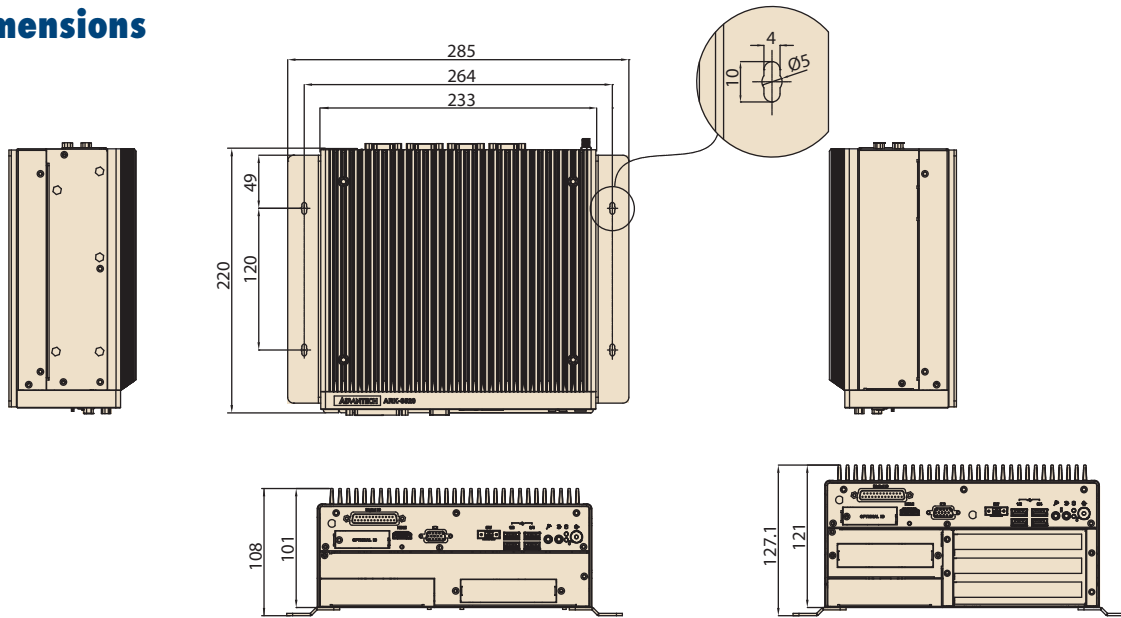
Specifications

Processor System	CPU	Intel Core i7-6820EQ	Intel Core i5-6440EQ	Intel Core i3-6100E (support by T-P/N)
	Frequency	2.8 GHz (Quad Core)	2.7 GHz (Quad Core)	2.7 GHz (Dual Core)
	L3 Cache	8 MB	6 MB	3 MB
	Watts	45W	45W	35W
	System Chipset	Intel QM170		
	BIOS	AMI EFI 128Mbit		
Memory	Technology	DDR4 2133 MHz		
	Max. Capacity	32 GB		
	Socket	2 x 260-pin SO-DIMM		
Graphics	Chipset	Intel QM170 Integrated GFX Gen 9		
	Graphic Engine	Direct x 12, OpenGL 4.4 HW Encode: H.265/HEVC, H.264/MPEG-4 AVC, MPEG-2, JPEG/MJPEG and VP8. HW Decode: H.265/HEVC, H.264/MPEG-4 AVC, MPEG-2, VC-1/WMV9, JPEG/MJPEG, VP8 and VP9		
	VGA	1920x1200@ 60Hz		
	HDMI	1 HDMI port, HDMI 1.4b for HD video playback, 3840x2160@30Hz		
	Optional 3rd Display module	DP / HDMI Display Port		
	Triple Display	VGA+HDMI + 3rd display module		
Ethernet	LAN1	10/100/1000 Mbps Intel I219-LM GbE, support Wake On Lan		
	LAN2	10/100/1000 Mbps Intel I210 GbE, support Wake On Lan		
Audio	Interface	Realtek ALC888S, High Definition Audio, Line-out, Mic-in		
Others	Watch dog Timer	255-level timer interval, setup by software		
	TPM	TPM 2.0 (Optional by project support)		
I/O Interface	Serial Port	4 x RS-232 ports, 4 x RS-232/422/485 port with auto flow control; COM 1,2 support 5V/12V power supply (by jumper)		
	USB	6 x USB 3.0 ports; 2 x USB 2.0 ports		
	DIO	16 bit DIO		
	P/S2	1 Port support by cable and bracket (Optional)		
	Parallel Port	D-sub 25pin connector (support by project)		
Expansions	Mini PCIe	2 x Full-size Mini PCIe (1 x support mSATA, 1 x support SIM holder#1)		
	M.2	1 x E key for WiFi module #1		
	i Door	1 set (Optional)		
	ARK Plus	AMO-3501E 3 Slot Riser Card for 2x PCIe+1xPCIx4		
Storage	HDD	1 x 2.5" SATAIII HDD Bay with Max Height 15mm, (1 internal 2.5" HDD Bay with one optional removable HDD Bay)		
	mSATA	1 x mSATA socket (Share 1 Mini PCIe)		
Software Support	Microsoft Windows	Windows 10, Windows 8.1, Windows 7		
	Linux	By Project Support		
Power Requirements	Power Type	AT/ATX		
	Power Input Voltage	12V (9-36V as optional)		
	Power Adapter	AC to DC, 150W (Optional)		
Power Consumption (CPU/Memory Only)	Typical	11.4W		
	Max.	68.4W	46.5W	42.75W
Mechanical	Construction	Aluminum housing		
	Mounting	Desk/wall-mounting		
	Dimensions (W x H x D)	220 x 101 x 233 mm (8.66" x 3.98" x 9.17")		
	Weight	4.8 kg (10.58 lb)		
Environment	Operating Temperature	with extended temp peripherals: -20 ~ 60° C with 0.7m/s air flow with HDD: 0 ~ 40° C with 0.7m/s air flow		
	Storage Temperature	-40 ~ 85° C		
	Relative Humidity	95% @ 40° C (non-condensing)		
	Vibration During Operation	With SSD: 3 Grms, IEC 60068-2-64, random, 5 ~ 500 Hz, 1 hr/axis.		
	Shock During Operation	With SSD: 30 G, IEC 60068-2-27, half sine, 11 ms duration		
	EMC	CE/FCC Class B, CCC, BSMI		
Safety	CB(62368), UL(62368), CCC, BSMI			

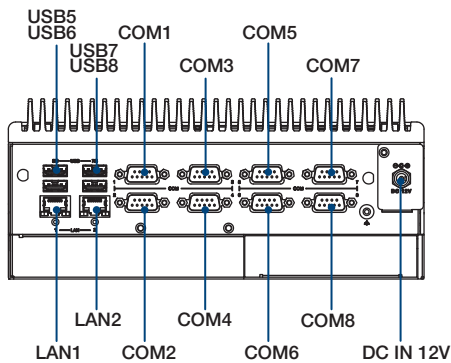
#1 SIM holder and M.2 slot are hardware interfaces for wireless communication integration only. System level RF certification is not available.

Dimensions

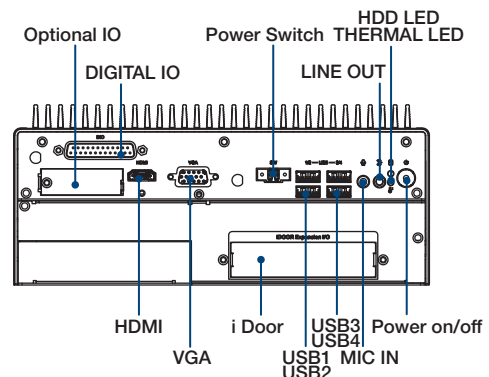
Unit: mm



Front Panel External I/O Mechanical Layout/Drawing



Rear Panel External I/O Mechanical Layout/Drawing



Ordering Information

Part No.	CPU	DDR4	VGA	HDMI	Option 3rd display module	RS-232/422/485	RS-232	USB 3.0	USB 2.0	MiniPCIe	SIM	DC input	Expansion
ARK-3520L-U8A1E	i7-6820EQ	up to 32G	1	1	1	4	4	6	2	2	1	12V	Optional
ARK-3520L-U7A1E	i5-6440EQ	up to 32G	1	1	1	4	4	6	2	2	1	12V	Optional

Note: Memory, storage and operating system bundled by request.

* ARK-3520L i3-6100E support by T-PN with MOQ 30pcs

Packing List

Part Number	Description
-	ARK-3520 Unit
-	User Manual (Simplified Chinese)
-	China RoHS
-	2pin power switch terminal block
1960075470N031	2 x mounting bracket

Embedded OS

Part Number	Description
2070014628	WES7E 64bit EN/JP/TC/SC
2070014627	WE8.1 64bit IndustryPro EN/JP/TC/SC
2070014899	Win10 Ent X64 (High End) for i7-6820EQ
2070014898	Win10 Ent X64 (Value) for i5-6440EQ

ARK-3520 Default SKU Option Items

Optional Item for Default SKU

Part Number	Description
XARK-DPS-150AB-15	AC-to-DC Adapter, DC12V 150W
1702002600	Power cable 3-pin 183cm, USA type
1702002605	Power cable 3-pin 183cm, EU type
1702031801	Power cable 3-pin 183cm, UK type
1700000237	Power cable, 3-Pin 183cm, PSE type

Optional MOS modules for iDoor Expansion

Part Number	Description
MOS-2230-Z1201E	CANBus module, 2-Ch, USB I/F
MOS-2220-X1101E	Parallel LPT module, 1-Ch, USB I/F.
MOS-2220-Z1101E	High Speed Com USB module, 2-Ch, PCIe I/F
MOS-2120-Z1101E	Giga LAN Ethernet module, 1-Ch, PCIe I/F.
MOS-1120Y-0201E	Isolated RS-232, 2-Ch, DB9, PCIe I/F
MOS-1121Y-0201E	Isolated RS-422/485, 2-Ch, DB9, PCIe I/F
MOS-1120Y-1401E	Non-Isolated RS-232, DB37, 4-Ch, PCIe I/F
MOS-1121Y-1401E	Non-Isolated RS-422/485, DB37, 4-Ch, PCIe I/F
MOS-1130Y-0201E	Isolated CANBus, 2-Ch, DB9, PCIe I/F
MOS-1110Y-0101E	Isolated 16 DI/8 DO, 1-Ch, DB37, PCIe I/F
MOS-2110Z-1201E	USB module, 2-Ch, PCIe I/F
MOS-2120-Z1201	Dual Intel I210 GbE LAN iDoor, 2-Ch, PCIe I/F

*Please noted ARK-3520 can support only 1 iDoor.

Optional 9-36V DC Power Module

Part Number	Description
AMO-P010E	9-36V DC input power module for ARK-3520
96PSA-A150W19P4-3	AC-to-DC Adapter, DC19V 150W, 0 ~ 40° C (for AMO-P010E)
96PSA-A230W24P4-3	AC to DC adapter, DC 24V 230W, -20 ~ 60° C (For AMO-P010E)
1702002600	Power cable 3-pin 183cm, USA type
1702002605	Power cable 3-pin 183cm, EU type
1702031801	Power cable 3-pin 183cm, UK type

ARK-3520L Optional HDD expansion Kit (Support up to 2 sets)

Part Number	Description
AMK-A0022E	1 x internal HDD Kit (Max Height 15mm)
AMK-A0023E	1 x removable HDD Kit (Max Height 15mm)

Optional Display Module

Part Number	Description
AMO-D002E	DP module
AMO-D003E	HDMI module

ARK Plus Extended Modules

AMO-3501E

3 Slots Riser Card Expansion Module: 2 x PCI +1x PCIe4

Specifications

General	
Add on card support	3 Slot for 2xPCI+1xPCIe4 Max Card size: 110 mm(H) x 180 mm (L) Max Power consumption: 10W for each slot
HDD/SSD	NA
Mechanical	
System Dimension	220 x 121 x 230 mm

Ordering Information

P/N	Description
AMO-3501E	3 Slot Riser Card (2xPCI+1xPCIe4)