

EVA-2310

LoRaWAN Temperature and Humidity Sensor

NEW



Features

- LoRaWAN wireless connectivity
- -20 °C to 55 °C temperature detection range
- 0%RH to 90%RH humidity detection range
- Battery life up till 5 years@25 °C, 15mins interval setting
- Easy to deploy and maintain

Introduction

EVA-2310 is capable to measure temperature and humidity at different kinds of application, such like office, hospital, classroom, warehouse, etc. With its wide range, high penetration rate LoRa connectivity, the data transmission range can up till hundred or thousand meters away. EVA-2310 can be installed directly on the walls, metal box or poles. EVA-2310 is powered by 2 AA 3.6v Li-ion batteries, battery life can up till 5 years basing on certain condition.

Common Specification

Wireless Communication

- **Frequency Band** EU 863-870 (MHz) / US 902-928 (MHz) / AU 915-928 (MHz) / AS 919-924 (MHz)
- **Spreading Factor** 7~12
- **Transmit Power** Up to 20dBm
- **Topology** Star (LoRa/LoRaWAN)
- **Sensitivity** -148dB

General

- **Power Input** 3.6V AA Battery *2pcs (Not included)
- **Battery Life** 5 years@25 °C, 15mins interval setting
- **LED Indicator** Power on, TX, reset to default
- **Configuration Interface** Wireless downlink commands
- **IP Class** IP30
- **Mounting** Wall, Magnetic, Pole
- **Dimension (H x W x D)** 112 x 51 x 71.5 mm
- **Certification** CE (RED), FCC, TELEC, RCM, NCC

Environment

- **Operating Temperature** -20°C to 55 °C
- **Operating Humidity** 0% ~ 90% RH
- **Storage Temperature** -40°C ~ 85°C
- **Storage Humidity** 0% ~ 90% RH

Temperature Sensor

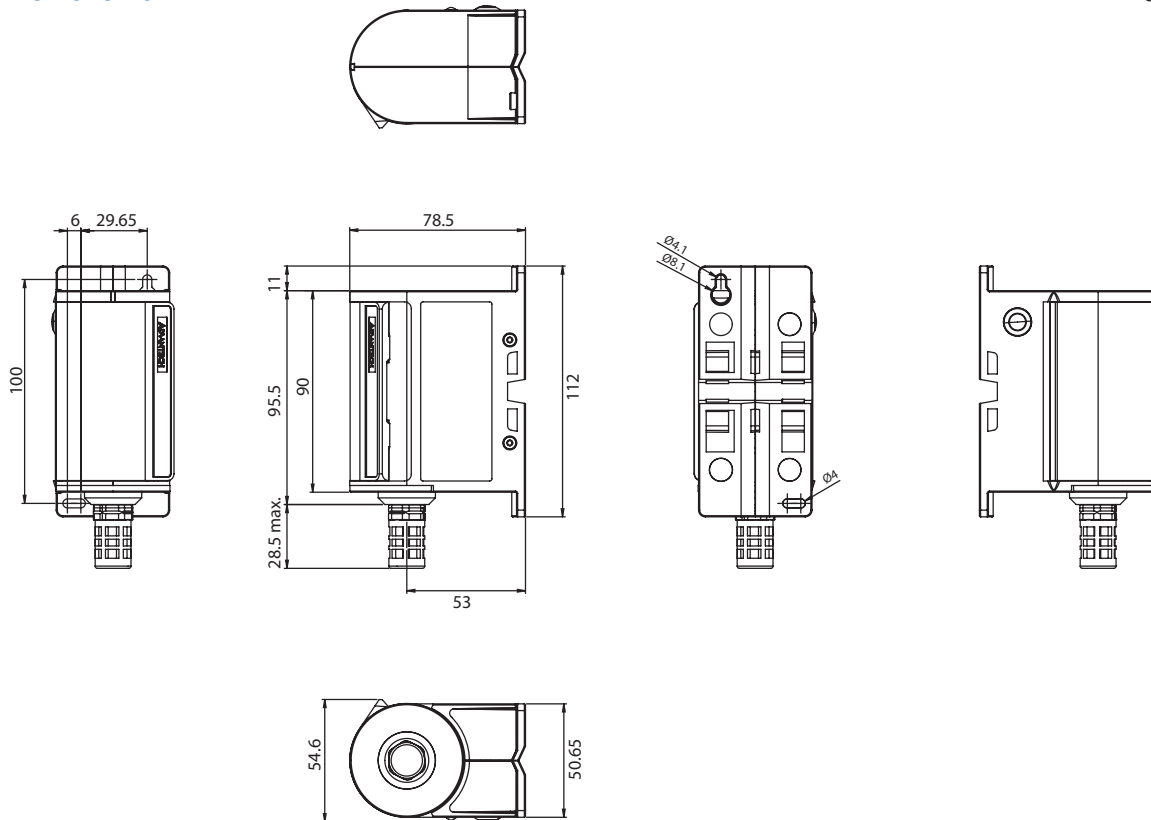
- **Measurement Range** -20°C ~ 55°C
- **Accuracy** ±1°C @25°C

Humidity Sensor

- **Measurement Range** 0%RH to 90%RH
- **Accuracy** ±4%RH @25°C

Dimensions

Unit: mm



Ordering Information

LoRaWAN Temperature and Humidity Sensor

- **EVA-2310-NA** LoRaWAN Temperature and Humidity Sensor - US 902-928 (MHz)
- **EVA-2310-EA** LoRaWAN Temperature and Humidity Sensor - EU 863-870 (MHz)
- **EVA-2310-TA** LoRaWAN Temperature and Humidity Sensor - AS 919-924 (MHz)
- **EVA-2310-ZA** LoRaWAN Temperature and Humidity Sensor - AU 915-928 (MHz)

LoRaWAN Gateway

- **WISE-6610-NB** LoRaWAN gateway with NA915 MHz
- **WISE-6610-EB** LoRaWAN gateway with EU868 MHz
- **WISE-6610-TB** LoRaWAN gateway with AS923 MHz
- **WISE-6610-JB** LoRaWAN gateway with JP923 MHz
- **WISE-6610-EL-NB** LoRaWAN gateway with NA915 MHz and Edgelink
- **WISE-6610-EL-EB** LoRaWAN gateway with EU868 MHz and Edgelink
- **WISE-6610-EL-TB** LoRaWAN gateway with AS923 MHz and Edgelink
- **WISE-6610-EL-JB** LoRaWAN gateway with JP923 MHz and Edgelink

Accessories

- ***1760002647-01** Bat.Cylindrical 3.6V/2500mAh AA Li/SOCI2
- *One EVA sensor need 2 batteries.