

EVA-2510

LoRaWAN Wireless Water Leakage Sensor

NEW



Features

- LoRaWAN wireless connectivity
- 3.5mm water line diameter
- Battery life up till 5 years@25 °C, 15mins interval setting
- Easy to deploy and maintain

Introduction

EVA-2510 is a water leak detection sensor, can be used in cooling system, water treatment system, etc. It can reduce the risk by alerting you to problems quickly so you can act to prevent severe damage. With its wide range, high penetration rate LoRa connectivity, the data transmission range can be up to hundreds or thousands of meters. EVA-2510 can be installed directly on walls, metal boxes or poles. EVA-2510 is powered by 2 AA 3.6V Li-ion batteries, battery life can be up to 5 years based on certain conditions.

Common Specification

Wireless Communication

- **Frequency Band** EU 863-870 (MHz) / US 902-928 (MHz) / AU 915-928 (MHz) / AS 919-924 (MHz)
- **Spreading Factor** 7~12
- **Transmit Power** Up to 20dBm
- **Topology** Star (LoRa/LoRaWAN)
- **Sensitivity** -148dB

General

- **Power Input** 3.6V AA Battery *2pcs (Not included)
- **Battery Life** 5 years@25 °C, 15mins interval setting
- **LED Indicator** Power on, TX, reset to default
- **Configuration Interface** Wireless downlink commands
- **IP Class** IP30
- **Mounting** Wall, Magnetic, Pole
- **Dimension (H x W x D)** 112 x 51 x 71.5 mm
- **Certification** CE (RED), FCC, TELEC, RCM, NCC

Environment

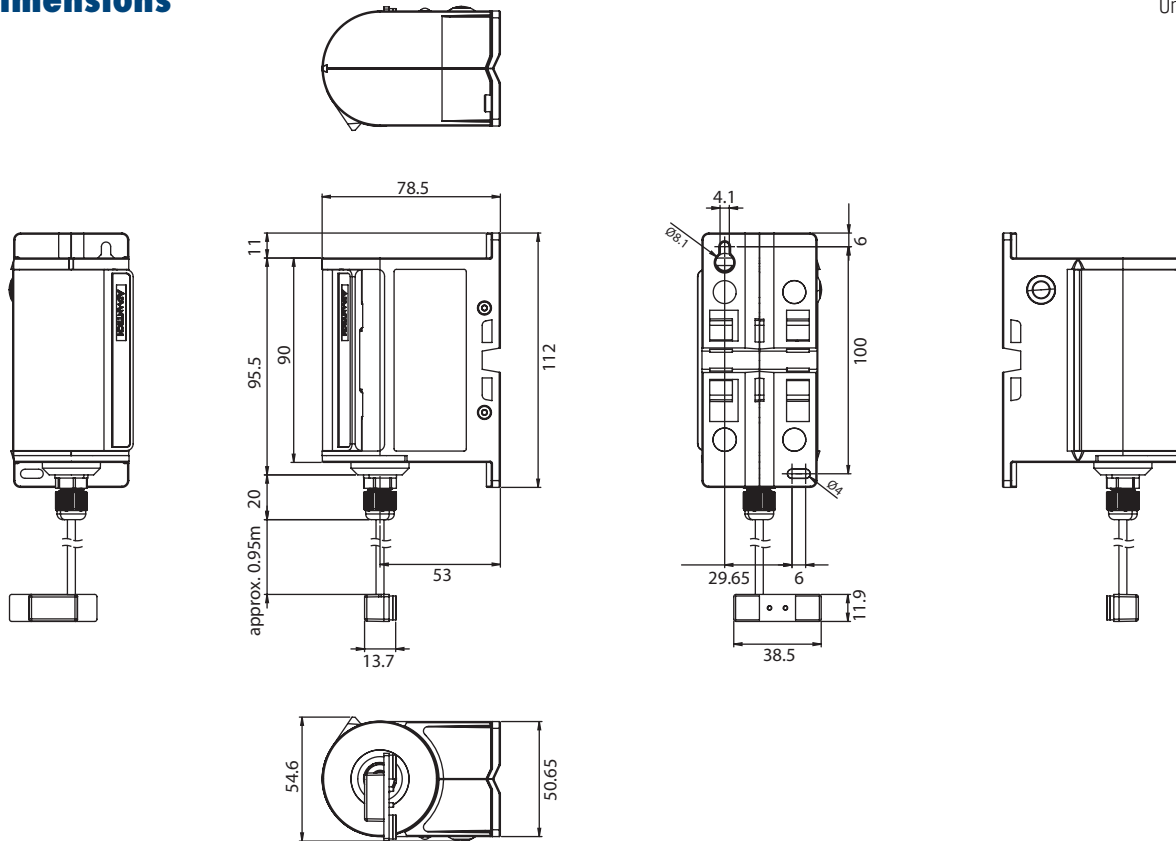
- **Operating Temperature** -20°C to 55 °C
- **Operating Humidity** 0% ~ 90% RH
- **Storage Temperature** -40°C ~ 85°C
- **Storage Humidity** 0% ~ 90% RH

Water Leak Sensor

- **Water Line Diameter (max)** 3.5mm
- **Water Line Length** 1000mm (±10mm)
- **Water Line Flame Resistance Rating** VW-1
- **Water Line Length Limit** 300m (theoretical value)

Dimensions

Unit: mm



Ordering Information

LoRaWAN Water Leakage Sensor

- **EVA-2510-NA** LoRaWAN Water Leakage Sensor - US 902-928 (MHz)
- **EVA-2510-EA** LoRaWAN Water Leakage Sensor - EU 863-870 (MHz)
- **EVA-2510-TA** LoRaWAN Water Leakage Sensor - AS 919-924 (MHz)
- **EVA-2510-ZA** LoRaWAN Water Leakage Sensor - AU 915-928 (MHz)

LoRaWAN Gateway

- **WISE-6610-NB** LoRaWAN gateway with NA915 MHz
- **WISE-6610-EB** LoRaWAN gateway with EU868 MHz
- **WISE-6610-TB** LoRaWAN gateway with AS923 MHz
- **WISE-6610-JB** LoRaWAN gateway with JP923 MHz
- **WISE-6610-EL-NB** LoRaWAN gateway with NA915 MHz and Edgelink
- **WISE-6610-EL-EB** LoRaWAN gateway with EU868 MHz and Edgelink
- **WISE-6610-EL-TB** LoRaWAN gateway with AS923 MHz and Edgelink
- **WISE-6610-EL-JB** LoRaWAN gateway with JP923 MHz and Edgelink

Accessories

- ***1760002647-01** Bat.Cylindrical 3.6V/2500mAh AA Li/SOCI2
- *One EVA sensor need 2 batteries.