

TKV-012-12-QUAD-DGI-IP65-MODUL



TKV-012-12-QUAD-DGI-IP65-BACKLWH-MODUL



### FEATURES

- Vandal resistant numeric keypad
- Front mounted version
- Robust and durable
- Resistant to dirt, dust and liquid (IP65, frontside)
- Optionally available with backlight

### SPECIFICATION

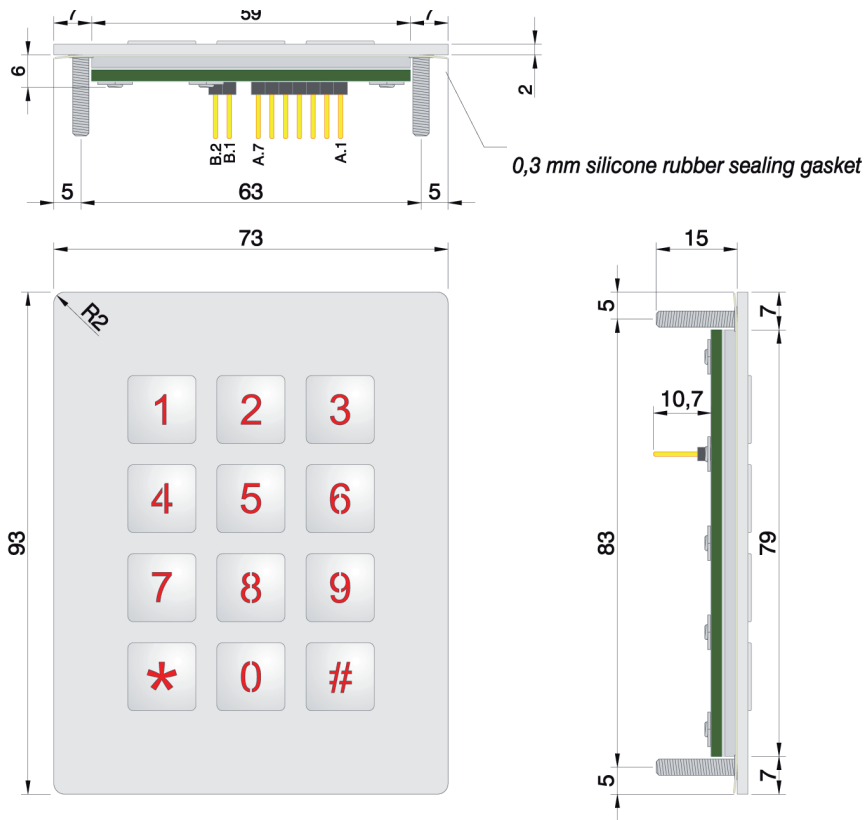
Number of keys:	12	Switch travel:	0.6 mm ± 0.1 mm
Key shape:	square	Protection level:	IP65 (frontside)
Key size:	12 mm	Impact protection rate:	IK08
Housing type:	front plate with threaded bolts (frontpanel mounting)	Interface:	matrix (connector)
Front plate material:	stainless steel	Operating temperature:	-10 °C to +70 °C
Keyswitch technology:	Digi-Inox (metal dome)	Storage temperature:	-25 °C to +85 °C
Switching cycles:	approx. 3mill. (per key)	Dimensions:	93 x 73 x 17 mm
Operating force:	4.5 N	Weight:	148 g
		Certifications:	CE, RohS, REACH, EMC

Cat. No.	Product Code	Backlight colour
KV21230	TKV-012-12-QUAD-DGI-IP65-MODUL-MATRIX	----
KV21206	TKV-012-12-QUAD-DGI-IP65-BACKLWH-MODUL-MATRIX	white

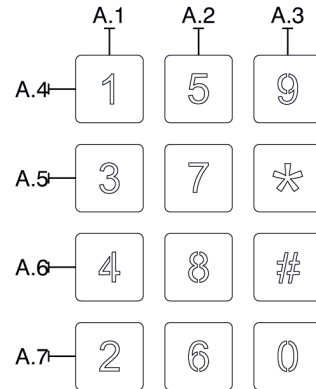
Other language versions/interfaces/configurations available on request.

Subject to modifications and errors

### TECHNICAL DRAWING (in mm)



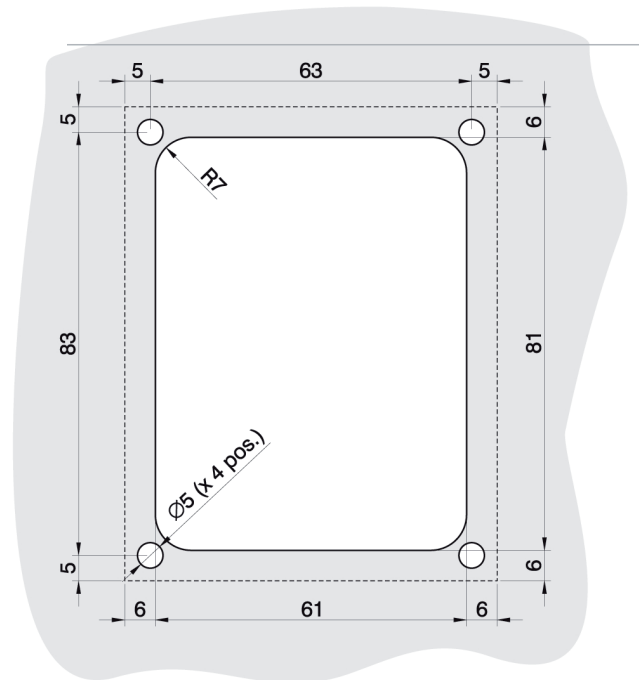
#### Pin-Out



B (optional back-lighting)

B.1 — +12Vcc

B.2 — GND



Subject to modifications and errors